

*Dimensions are in mm

Configuration

PCB suitable thickness	0.1mm-2mm
Connector 1 Impedance	50 Ohms
Connector Mount Method	2 Hole Flange
Connector 2 Interface Type	0.25mm Pin
Attachment Method	Contact

Materials Information

Centre Contact	CuBe Gold Plated
Outer Contact	Stainless Steel
Body	Brass Trimetal Plated
Dielectric	PEEK&PTFE

Environmental Data

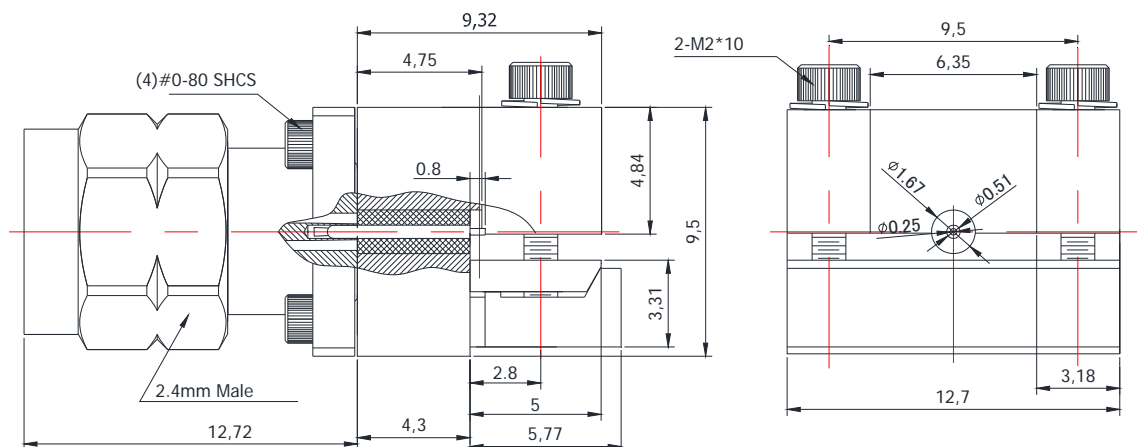
Temperature Range	-40°C to +165°C
RoHS	Compliant

While the information has been carefully compiled to the best of our knowledge, nothing is intended as representation or warranty on our part and no statement herein shall be construed as recommendation to infringe existing patents. In the effort to improve our products, we reserve the right to make changes judged to be necessary.

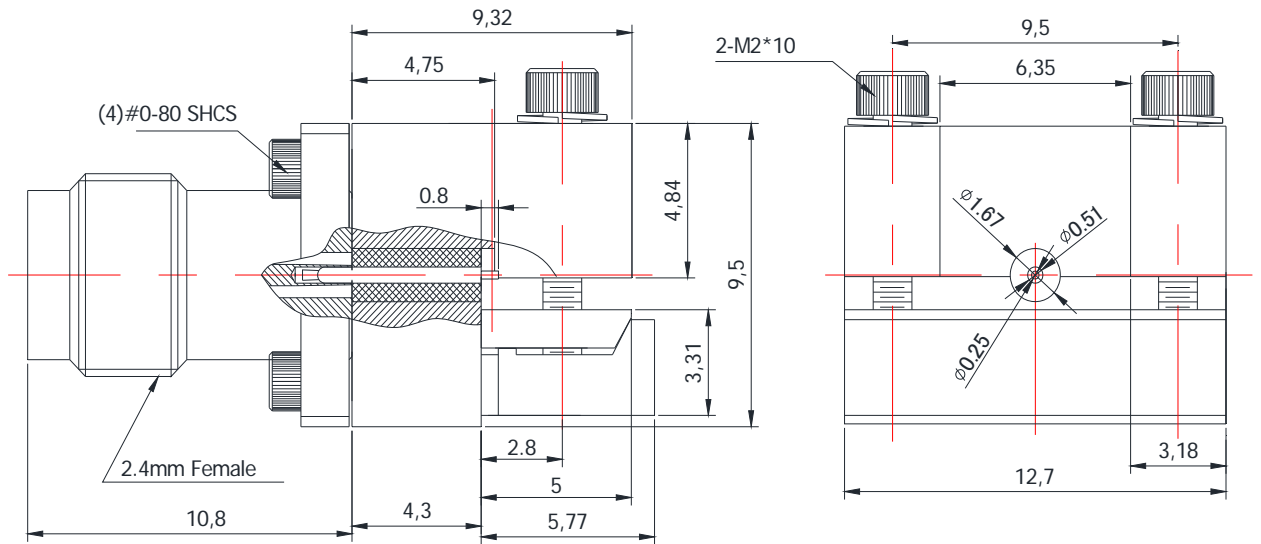
Product No.	Frequency (GHz)	Insertion Loss (dB)	VSWR
2.4-JFD0851	DC-50	$\leq 0.1 \times \text{Sqrt.}(f_{\text{Ghz}})$	1.25
2.4-KFD0851	DC-50	$\leq 0.1 \times \text{Sqrt.}(f_{\text{Ghz}})$	1.25
2.92-JFD0851	DC-40	$\leq 0.1 \times \text{Sqrt.}(f_{\text{Ghz}})$	1.25
2.92-KFD0851	DC-40	$\leq 0.1 \times \text{Sqrt.}(f_{\text{Ghz}})$	1.25
SMA-JFD0851	DC-26.5	$\leq 0.1 \times \text{Sqrt.}(f_{\text{Ghz}})$	1.25
SMA-KFD0851	DC-26.5	$\leq 0.1 \times \text{Sqrt.}(f_{\text{Ghz}})$	1.25

Connector Dimensions:

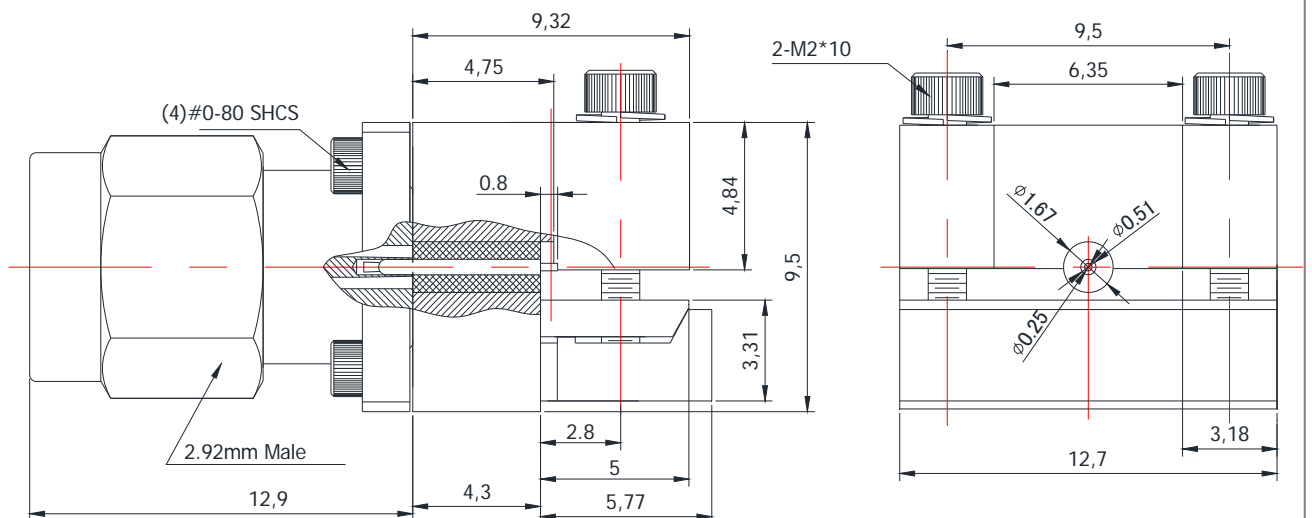
2.4-JFD0851



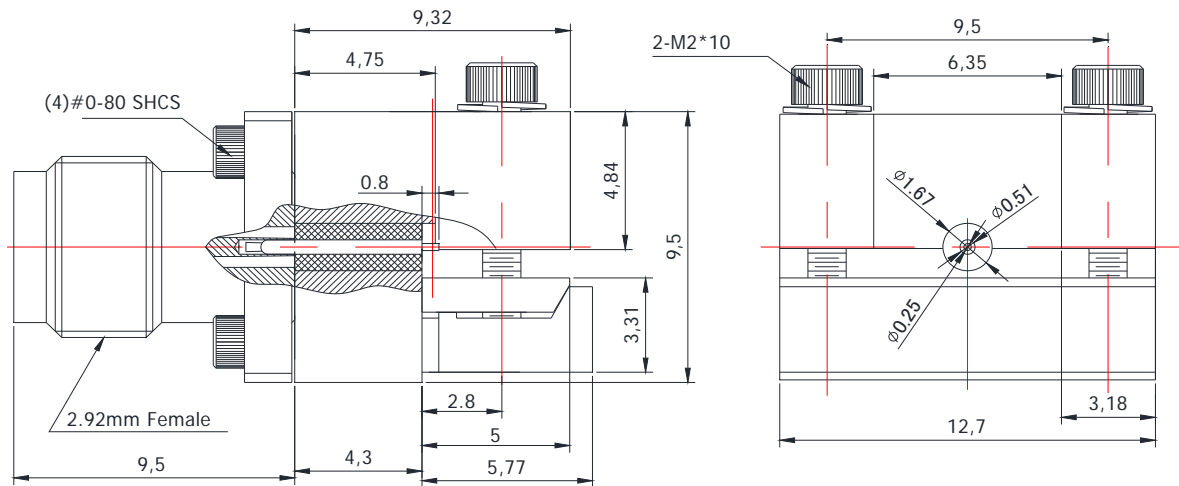
2.4-KFD0851



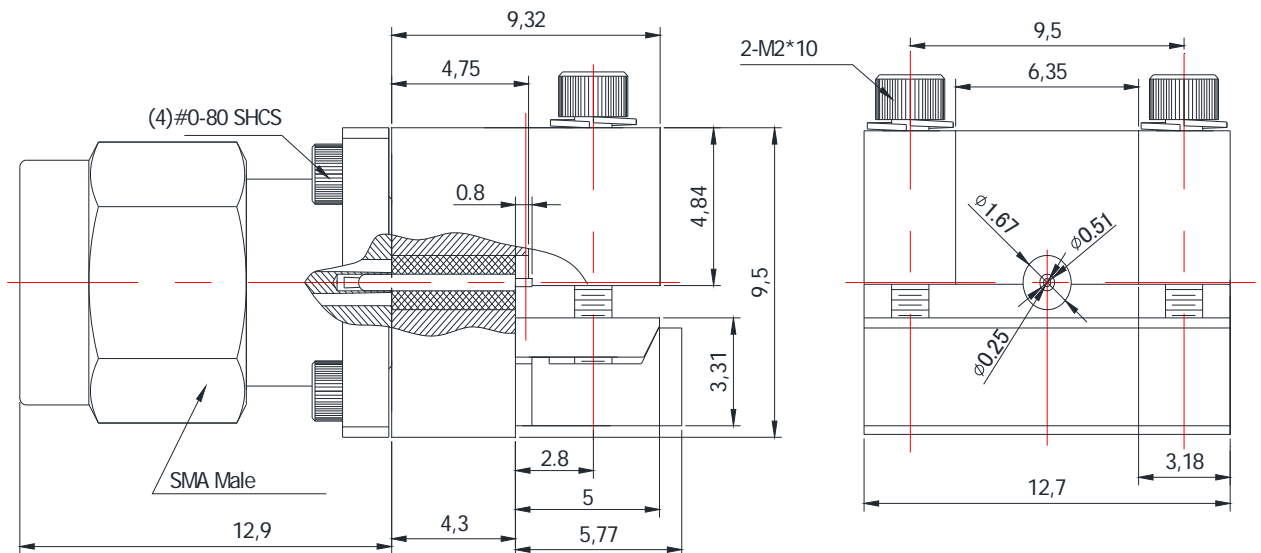
2.92-JFD0851



2.92-KFD0851



SMA-JFD0851



SMA-KFD0851

